

**TOMORROW'S  
MANUFACTURING  
LEADERSHIP  
TODAY**

# Technical Bulletin

Bulletin Number: 299 Revision Number: R-03

Release Date: Oct. 4, 1985 Revision Date: Feb. 9, 1994

**SUBJECT: GLENVIEW BAG SYSTEM**

**MODELS AFFECTED:** All Pepsi Magnum Circular Venders.  
All Pepsi Magnum Venders.  
All Coke Landscape Venders.

**SERIAL BREAKS:** See index below.

**REASON:** To provide installation instructions for installing the  
Glenview Security System in the field.

**INDEX:**

1. For Pepsi Magnum Circular venders serialized 0001-3101AN and higher. Pages 2 & 4
2. For Pepsi Magnum Circular venders and Pepsi Magnum venders serialized 0001-2852DJ to 0001-3101AN. Pages 5 & 6
3. For Coke Landscape venders serialized 0001-2949DK and higher. Pages 3 & 4

**Notes: \* = Parts that are furnished by: Glenview Manufacturing Co.  
1917 Pickwick Lane  
Glenview, IL 60025  
Phone (312) 724-2691**

**PEPSI MAGNUM CIRCULAR VENDERS  
SERIALIZED 0001-3101AN AND HIGHER  
(Exception: Production Run 3102)**

Installation Instructions: (See drawing on page 4)

1. Remove existing cash box and cash box shelf (enclosure).
2. On some venders, it may be necessary to reposition the wiring harness. This can be done by removing the ballast box cover and disconnecting the wiring harness. "Back feed" the harness from the coin box area and reposition it along the "florescent light" side of the door as shown on page 4.
3. Position the Glenview Bracket in line with the existing coin chute.
4. Align the holes in the Glenview Bracket with the appropriate two (2) slots in the vertical bulkhead of the door.

Note: Vender model determines which two (2) out of three (3) slots are used to secure the Glenview Bracket to the door, using one (1) hex bolt and nut and one (1) pop rivet per slot.

5. The distance between the top of the Glenview Bracket and the bottom of the existing coin chute should be no greater than  $\frac{1}{2}$ ".
6. Secure the Glenview Bracket in position with two (2) hex bolts and nuts provided in the kit. Ensure the bolts do not interfere with the coin path to the bracket.
7. Remove florescent light and securely pop rivet the Glenview Bracket to the door. (This will prevent removal of the bracket.)
8. Note: If a security door is requested, refer to Technical Bulletin 292.

**COKE LANDSCAPE  
SERIALIZED 0001-2949DK AND HIGHER**

Installation Instructions: (See drawing on page 4.)

1. Remove existing cash box and cash box shelf (enclosure).
2. Position Glenview Bracket in line with the existing coin chute.
3. Align the holes in the Glenview Bracket with the appropriate two (2) slots in the vertical bulkhead of the door.

Note: Vender model determines which two (2) out of three (3) slots are used to secure the Glenview Bracket to the door, using one (1) hex bolt and nut and one (1) pop rivet per slot.

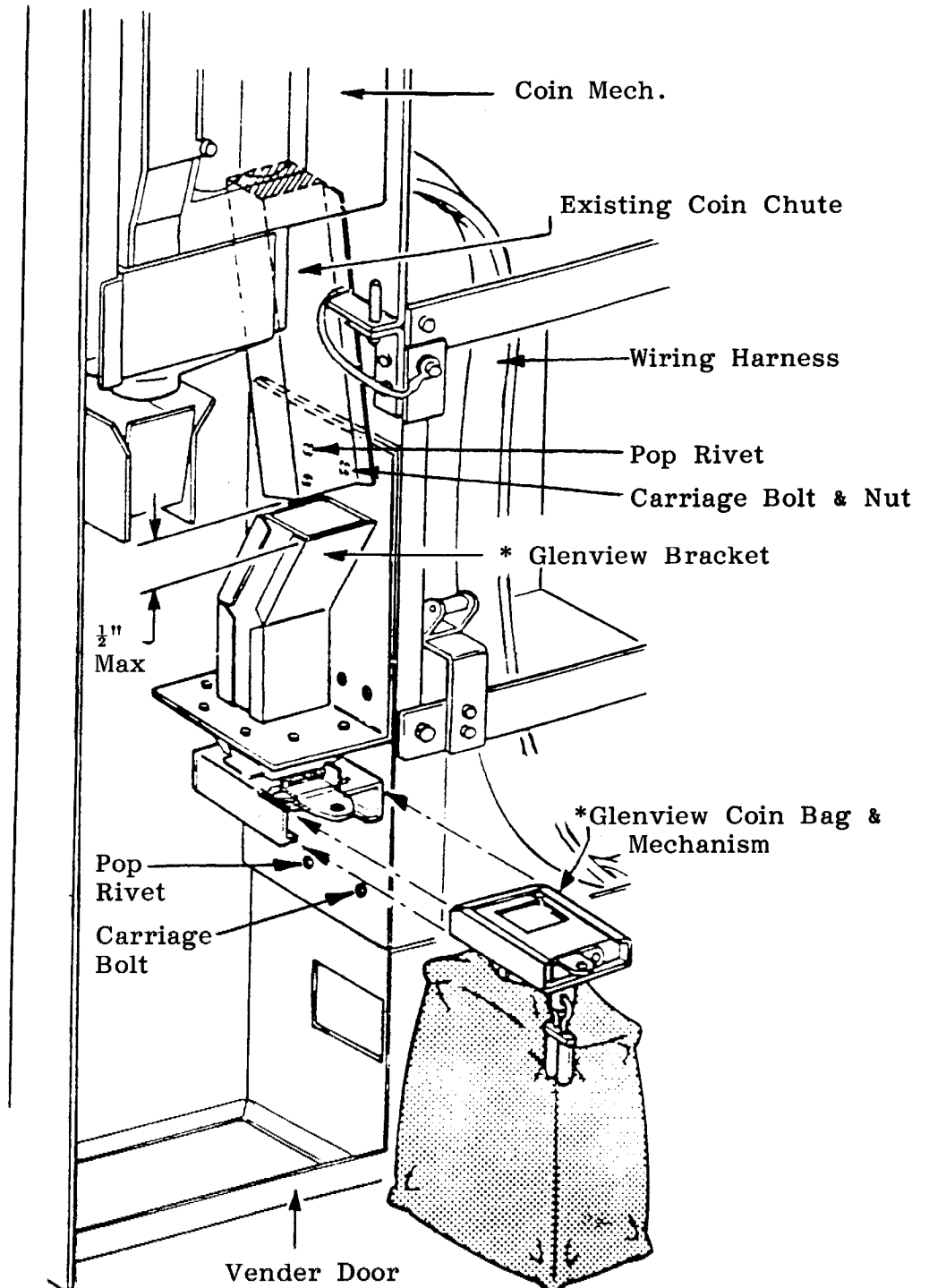
4. The distance between the top of the Glenview Bracket and the bottom of the existing coin chute should be no greater than  $\frac{1}{2}$ ".
5. Secure the Glenview Bracket in position with two (2) hex bolts and nuts provided in the kit. Ensure the bolts do not interfere with the coin path to the bracket.
6. Remove florescent light and securely pop rivet the Glenview Bracket to the door. (This will prevent removal of the bracket.)
7. Note: If a security door is requested, refer to Technical Bulletin 292.

# GLENVIEW SECURITY SYSTEM

Carriage Bolt  $\frac{1}{4}$ -20x $\frac{1}{2}$   
900,201,450.01

Keps Nut  $\frac{1}{4}$ -20  
900,800,670.02

Pop Rivet  $\frac{3}{16}$ "  
Stainless Steel  
901,100,490.01



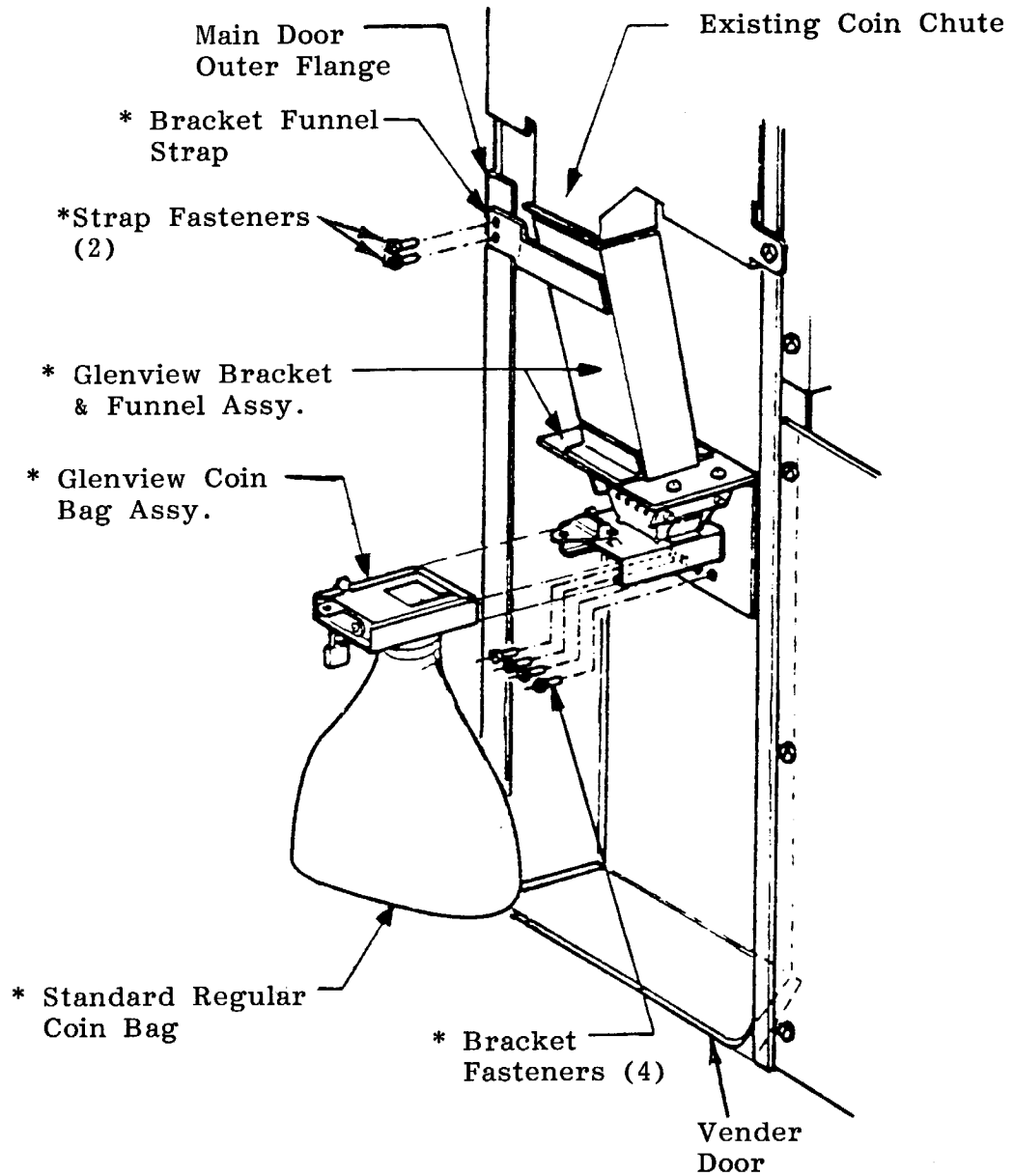
\* = Parts that are furnished by: Glenview Manufacturing Co.  
1917 Pickwick Lane  
Glenview, IL 60025  
Phone (312) 724-2691

**PEPSI MAGNUM CIRCULAR AND MAGNUM VENDERS  
SERIALIZED 0001-2852DJ TO 0001-3101AN  
(Including Production Run 3102)**

Installation Instructions: (See drawing on page 6.)

1. Remove existing cash box and cash box shelf.
2. On some venders, it may be necessary to reposition the wiring harness. This can be done by removing the ballast box cover and disconnecting the wiring harness. "Back feed" the harness from the coin box area and reposition it along the "florescent light" side of the door.
3. On venders serialized 0001-3030AM to 0001-3101AN, you will need to install a crown puller housing (part #360,050,570.13) to mount the Glenview Bag System.
  - A. Locate the crown puller opening cover plate at the bottom of the main door on the T-handle side.
  - B. Remove the four (4) keps nuts that secure the cover plate. Note: Do not remove the cover plate.
  - C. Place the crown puller housing in position on the four studs.
  - D. Secure the crown puller housing with the keps nuts removed in step 3B.
4. Position the Glenview Bracket in line with the existing coin chute.
5. Align the four (4) holes in the crown puller housing.
6. Secure with four (4) fasteners in kit.
7. Install two (2) fasteners in the funnel strap.
8. Note: If a security door is requested, refer to Technical Bulletin 292.

# GLENVIEW SECURITY SYSTEM



\* = Parts that are furnished by:

Glenview Manufacturing Co.  
1917 Pickwick Lane  
Glenview, IL 60025  
Phone (312) 724-2691